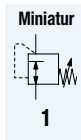
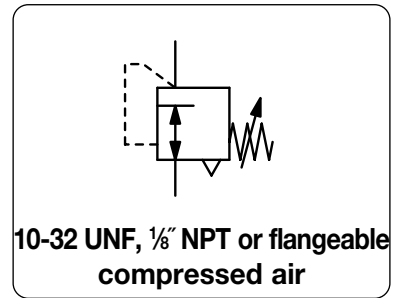


PLASTIC MINIATURE PRECISION PRESSURE REGULATOR

R800 / R900

Description	Miniature precision regulator with high supply sensitivity, small dimension, low weight. Hysteresis-free adjustment up to 20 turns. compressed air or non-corrosive gases	
Media	max. 10 bar	
Supply pressure		
Accuracy	R800 / R900 / R901	R810 / R910 / R911
	< 7 mbar pressure deviation	< 20 mbar pressure deviation
	< 7 mbar pressure deviation	< 17 mbar pressure deviation
	< 2.5 mbar	< 5 mbar
Air consumption	0.35 l/min at 7 bar supply pressure increase for flow <20 ml/min	
Relieving function	relieving, optionally non-relieving	
Relief capacity	15 l/min at 0.35 bar outlet above set-point	
Temperature range	4 °C to 66 °C / 40 °F to 150 °F	
Material	Body: polysulfones	Elastomer: NBR/Buna-N
	Inner valve: stainless steel and acetal	



Dimensions			Pressure adjustment	Flow rate	Pressure range	Order number for manifold	Order number 10-32 UNF standard
A	B	C	by	l/min*1	bar	with o-ring	
mm	mm	mm					

Precision pressure regulator						supply pressure max. 10 bar, relieving, with constant bleed	R900
29	78	8	knob	65	0.03 ... 0.24	R900-3,5MWK	R900-3,5WK
					0.03 ... 0.7	R900- 10MWK	R900- 10WK
					0.03 ... 2.1	R900- 30MWK	R900- 30WK
					0.03 ... 4.2	R900- 60MWK	R900- 60WK
					0.03 ... 6.2	R900- 90MWK	R900- 90WK
29	60	8	spindle	65	0.03 ... 0.24	R900-3,5WOS	R900-3,5WOS
					0.03 ... 0.7	R900- 10WOS	R900- 10WOS
					0.03 ... 2.1	R900- 30WOS	R900- 30WOS
					0.03 ... 4.2	R900- 60WOS	R900- 60WOS
					0.03 ... 6.2	R900- 90WOS	R900- 90WOS
29	43	8	preset	65	to be indicated	R901- .. M	R901- ..



R800-..WK mounting nut incl. R900-..WK mounting nut incl.

Special options, add the appropriate letter

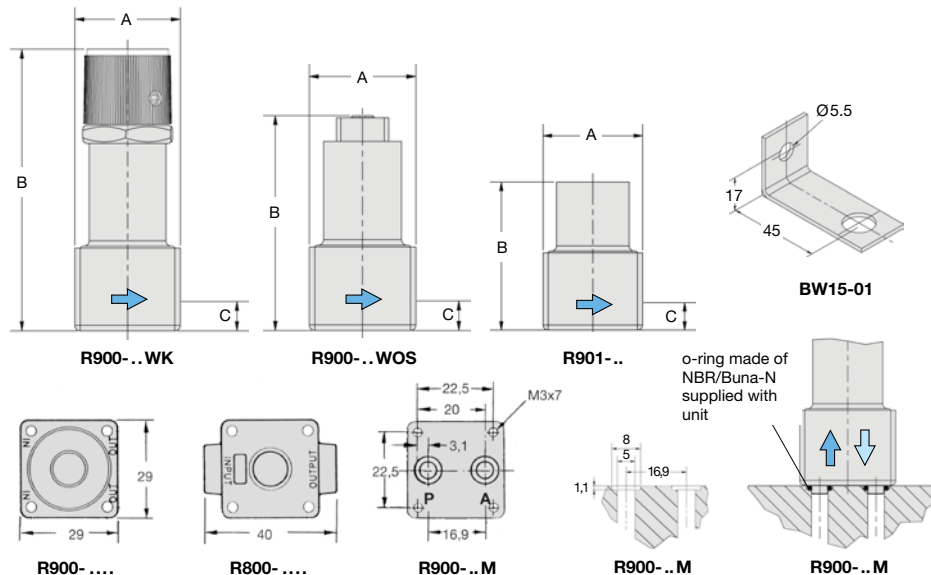
1/8" NPT	connection thread, width 40 mm	R8...W...
non-relieving	without constant bleed	R.1.....
for oxygen	specially cleaned	R.....15



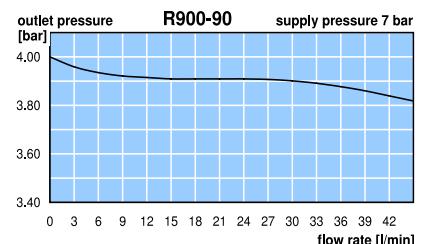
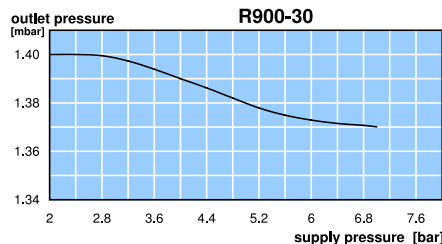
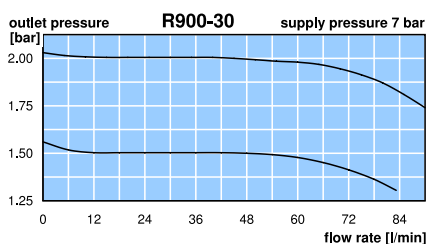
R910-..WOS mounting nut incl.

Accessories, enclosed

mounting bracket made of steel for R800 and R900 BW15-01



R901-.. R900-..MWOS mounting nut incl.



*1 at 7 bar supply pressure and max. outlet pressure

* Product group

PDF CAD
www.aircom.net



Order example:
R900-3,5MWK